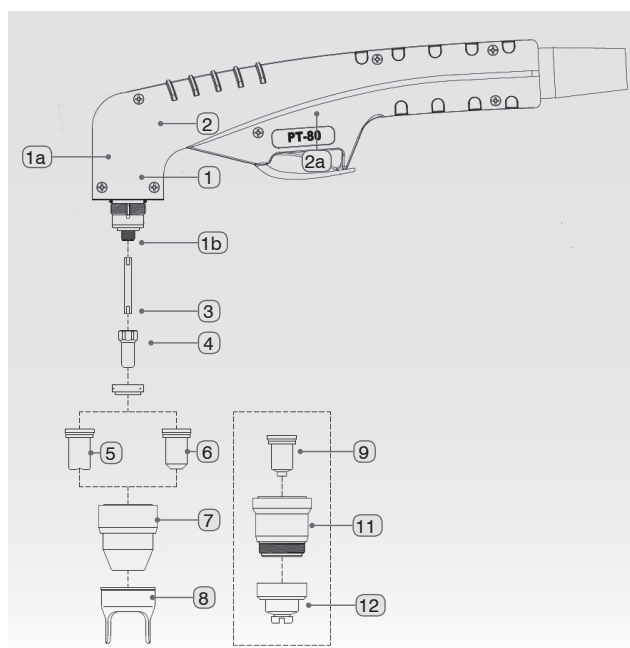


Plasma Torch PT-80 (FANCUT 70/71 MOST)



No.	Spare parts	Catalogue No.
	Plasma torch PT-80 6 m Z0133AA	59 25 000010
1.	Torch Tip PT-80 Z0043AA	59 25 000015
1a	O-ring 15x1.5 PT-80 Z0044AA	59 25 000016
1b	Cooling tube PT-80 Z0045AA	59 25 000017
2.	Handle PT-80/100 Z0046AA	59 25 000018
2a	Trigger PT-80/100 Z0222AA	59 25 000019
3.	Electrode PT-80 Z0048AA	59 25 000020
4.	Swirl ring (Diffuser) PT-80 Z0049AA	59 25 000021
5.	PT-80 contact cutting nozzle 0,9 (30-40 A) Z0050AA	59 25 000022
6.	Nozzle PT-80 1.0 (40-50 A) Z0051A Nozzle PT-80 1.2 (60-70 A) Z0053AA	59 25 000023 59 25 000024
7.	Shield PT-80 Z0055AA	59 25 000025
8.	Double pointed spacer PT-80 Z0056AA	59 25 000026
9.	Nozzle PT-80 contact 1,0 (40-50 A) Z0145AA Nozzle PT-80 contact 1,2 (60-70 A) Z0147AA	59 25 000027 59 25 000028
11.	PT-80 contact cover Z0089AA	59 25 000029
12.	Contact Tip (Guide) PT-80/100 (40-70 A) Z0140AA	59 25 000030
	Circular PT-80 Compass Z0134AA	59 25 000102



RYWAL-RHC Sp. z o.o.

ul. Polna 140B, 87-100 Toruń
tel. 56 66-93-800

