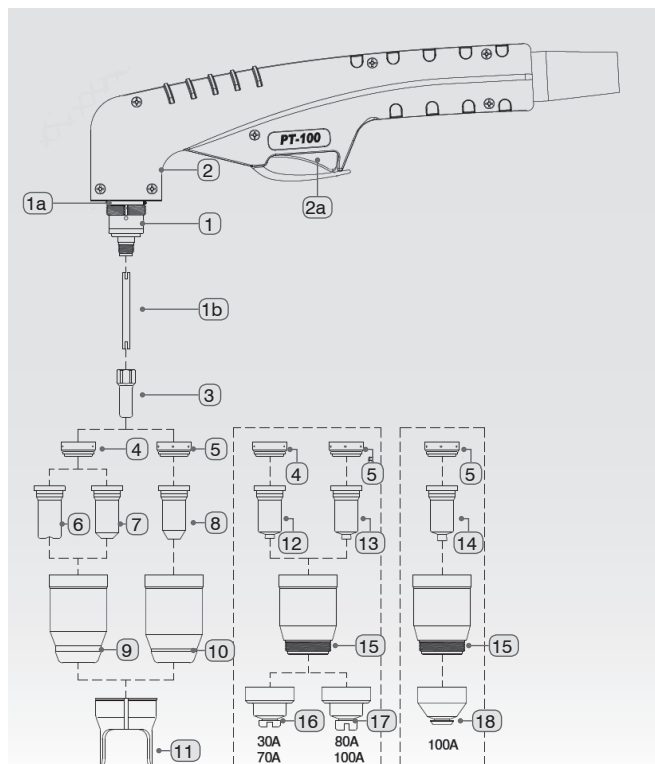


Plasma Torch PT-100 (FANCUT 100/101 MOST)



No.	Spare parts	Catalogue No.
	Plasma torch PT-100 6 m Z0042AA	59 25 000070
1.	Torch Tip PT-100 Z0057AA	59 25 000075
1a	O-ring 18x1.5 PT-100 Z0058AA	59 25 000076
1b	Cooling tube PT-100 Z0059AA	59 25 000077
2.	Handle PT-80/100 Z0046AA	59 25 000018
2a.	Trigger PT-80/100 Z0222AA	59 25 000019
3.	Electrode PT-100 Z0060AA	59 25 000078
4.	Swirl ring (Diffuser) PT-100 (30-70 A) Z0061AA	59 25 000079
5.	Swirl ring (Diffuser) PT-100 (80-120 A) Z0062AA	59 25 000080
6.	PT-100 contact cutting nozzle 0,9 (30-40 A) Z0063AA	59 25 000081
7.	Nozzle PT-100 1,0 (40-50 A) Z0064AA	59 25 000082
	Nozzle PT-100 1,2 (60-70 A) Z0066AA	59 25 000083
8.	Nozzle PT-100 1.5 (100-110 A) Z0068AA	59 25 000093
9.	Shield cap PT-100 (30-70 A) Z0070AA	59 25 000085
10.	Shield cap PT-100 (80-120 A) Z0071AA	59 25 000086
11.	Double pointed spacer PT-100 Z0072AA	59 25 000087
12.	Nozzle PT-100 contact 1,0 (40-50 A) Z0093AA	59 25 000088
12.1	Nozzle PT-100 contact 1,2 (60-70 A) Z0094AA	59 25 000095
13.	PT-100 contact nozzle 1,5 (100-110 A) Z0095AA	59 25 000089
14.	Nozzle for gouging PT-100 2,2 (100-120 A) ZZ0092AA	59 25 000090
15.	Shield cup body PT-100 Z0096AA	59 25 000091
16.	Contact tip PT-80/100 (40-70 A) Z0140AA	59 25 000030
17.	PT-100 contact Tip -Guide (80-120 A) ZZ0097AA	59 25 000092
18.	Shield cap T-100 for PT-80-100 (40-70 A) ZZ0090AA	59 25 000032
	Circular PT-100 Compass Z0143AA	59 25 000104



RYWAL-RHC Sp. z o.o.

ul. Polna 140B, 87-100 Toruń

tel. 56 66-93-800

